



JETRUS

JET в России

MBS-1012DASP

Metal Band Saw

JRM81012SPT

3~400V 50Hz

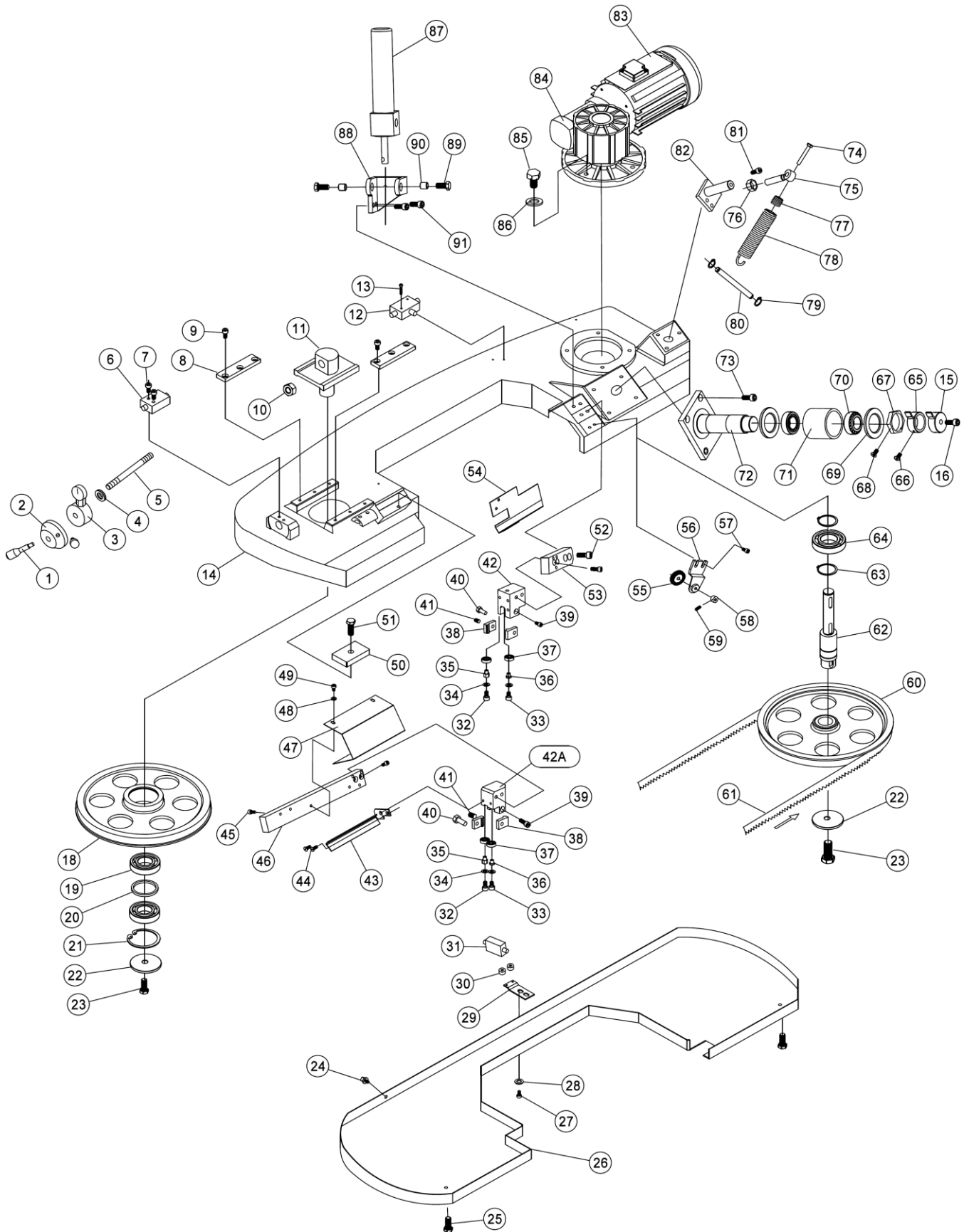
PARTS LIST



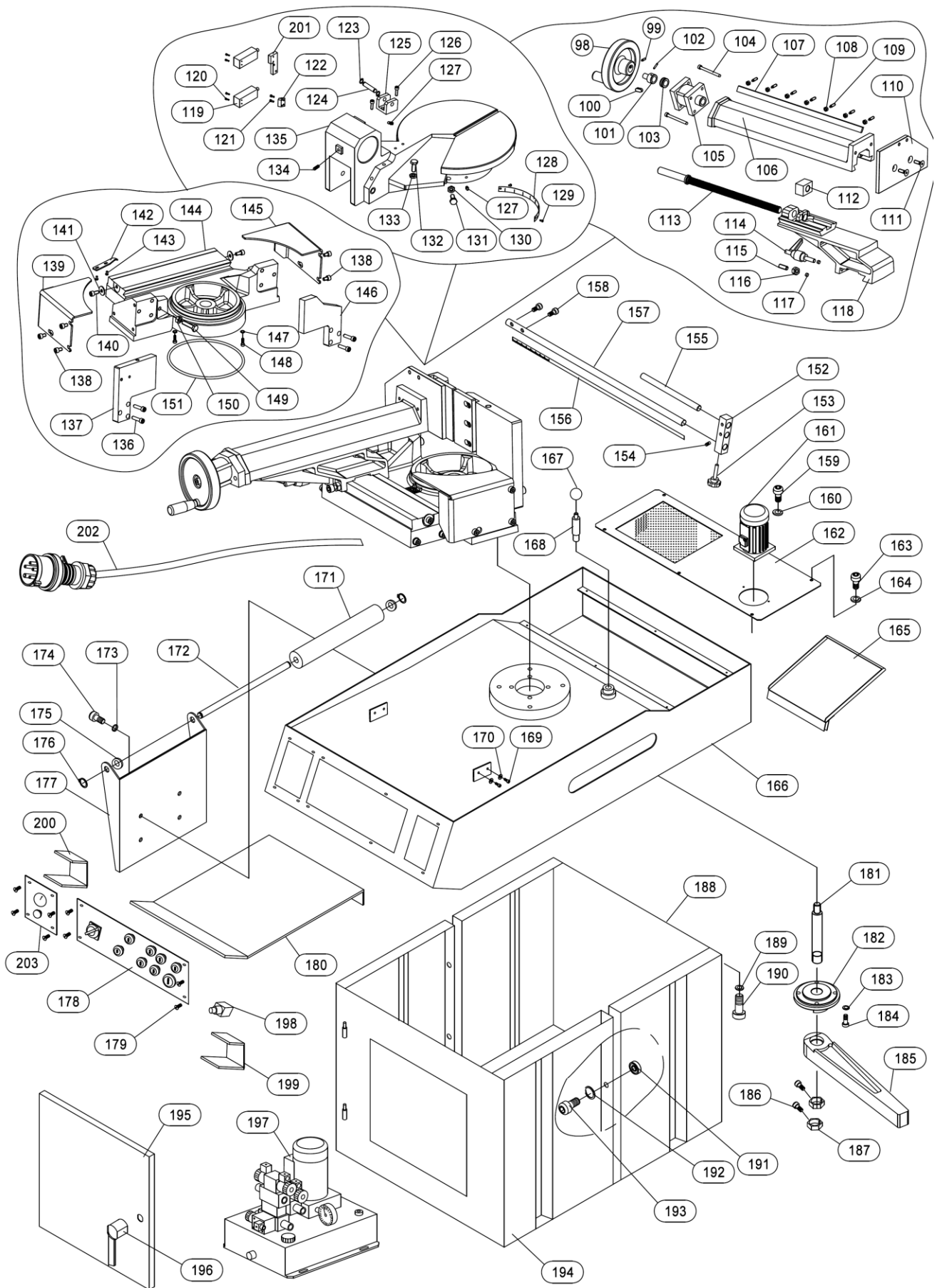
Импортер в РФ: ООО «ИТА Технолоджи»
105082, Москва, Переведеновский пер., д. 17
www.jettools.ru
Made in PRC / Сделано в КНР

P-JRM81012SPT 2025-07

Parts Breakdown for MBS-1012DASP Metal Band Saw-A

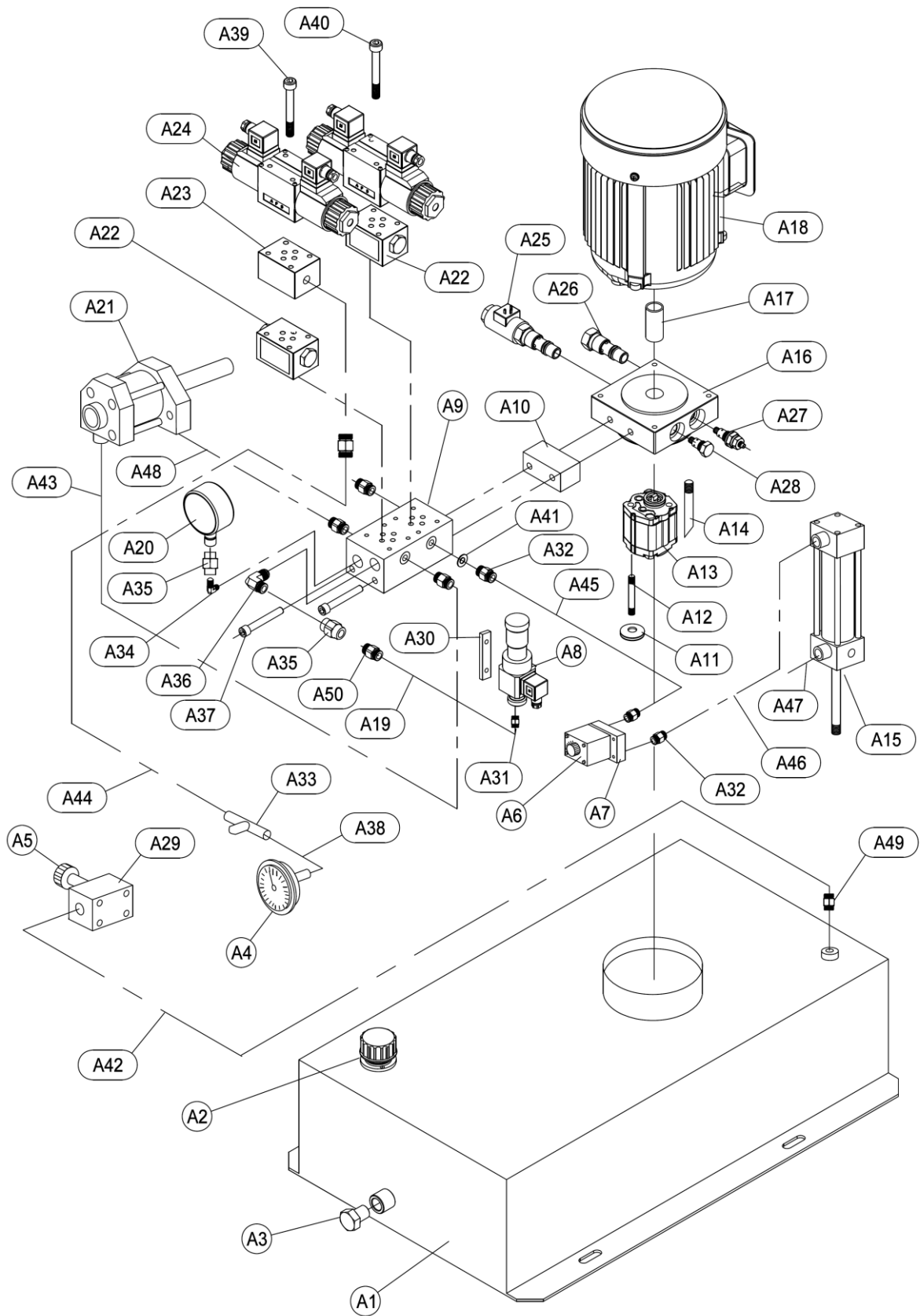


Parts Breakdown for MBS-1012DASP Metal Band Saw-B



Parts Breakdown for MBS-1012DASP Metal Band Saw-C

Hydraulic Wiring Diagram



Parts List for MBS-1012DASP Metal Band Saw

Index No.	Part No.	Description	Size	Qty
1	MBS1012DAP-001	Handle		2
2	MBS1012DAP-002	Handle Wheel		1
3	MBS1012DAP-003	Blade Tensiometer		1
4	MBS1012DAP-004	Wing Spring	36X17X2	2
5	MBS1012DAP-005	Draw Bar		1
6	MBS1012DAP-006	Blade Tension Switch		1
7	GB/T70.1	Hex Scket Head Cap Screw	M4x30	2
8	MBS1012DAP-008	Press Plate		2
9	GB/T70.1	Hex Scket Head Cap Screw	M8x16	6
10	GB/T6170	Hex. Nut	M20	1
11	MBS1012DAP-011	Sliding Seat		1
12	MBS1012DAP-012	Cooling Divider		1
13	GB/T70.1	Hex Scket Head Cap Screw	M4x25	4
14	MBS1012DAP-014	Saw Bow		1
15	MBS1012DASP-015	Touch Plate		1
16	GB/T70.1	Hex Scket Head Cap Screw	M8x16	1
18	MBS1012DAP-018	Idle Wheel		1
19	GB/T276	Bearing 6207-2RZ	6207-2RZ	2
20	MBS1012DAP-020	Spacer Bush		1
21	GB/T894.1	Internal Retaining Ring 72	72	1
22	MBS1012DAP-022	Mat		2
23	GB/T5783	Hex. Cap Head Screw	M12X25	2
24	MBS1012DAP-024	Handle Screw M6X12		2
25	MBS1012DAP-025	Handle M6X10		2
26	MBS1012DAP-026	Saw Bow Shield		1
27	GB/T70.1	Hex Scket Head Cap Screw	M6X12	2
28	GB/T95	Flat Wahser	6mm	1
29	MBS1012DAP-020	Connecting Plate		1
30	MBS1012DAP-030	Bush		2
31	MBS1012DAP-031	Switch For Saw Bow Shield		1
32	GB/T70.1	Hex Scket Head Cap Screw	M6X30	2
33	GB/T70.1	Hex Scket Head Cap Screw	M6X25	2
34	GB/T95	Flat Wahser	8mm	4
35	MBS1012DAP-035	Hex. Eccentric Sleeve		2
36	MBS1012DAP-036	Hex. Eccentric Sleeve		2
37	GB/T276	Bearing 608-2RZ	608-2RZ	4
38	MBS1012DAP-038	Clamp Block		4
39	GB/T70.1	Hex Scket Head Cap Screw	M8X10	2
40	GB/T5783	Hex. Cap Head Screw	M8X14	2
41	GB/T77	Scket Set Screw	M8X14	2
42	MBS1012DAP-042	Rear Adjusting Seat		1
42A	MBS1012DAP-042A	Front Adjusting Seat		1

Parts List for MBS-1012DASP Metal Band Saw

Index No.	Part No.	Description	Size	Q'ty
43	MBS1012DAP-043	Guard plate		1
44	GB/T819.1	Pan Head Machine Screw	M5x8	2
45	GB/T70.1	Hex Scket Head Cap Screw	M6x12	1
46	MBS1012DAP-046	Adjustable Stand		1
47	MBS1012DAP-047	Guard Plate		1
48	GB/T95	Flat Wahser	6mm	2
49	GB/T70.1	Hex Scket Head Cap Screw	M6x10	2
50	MBS1012DAP-050	Press Plate		1
51	GB/T5783	Hex. Cap Head Screw	M12x35	1
52	GB/T70.1	Hex Scket Head Cap Screw	M10x25	2
53	MBS1012DAP-053	Connecting Plate		1
54	MBS1012DAP-054	Guard Plate		1
55	MBS1012DAP-055	Brush		1
56	MBS1012DAP-056	Bracket For Brush		1
57	GB/T70.1	Hex Scket Head Cap Screw	M6x12	2
58	MBS1012DAP-058	Shaft Sleeve		1
59	GB/T77	Scket Set Screw	M6x6	1
60	MBS1012DAP-060	Drive Wheel		1
61	MBS1012DAP-061	Blade 2825X27X0.9X5/8		1
62	MBS1012DAP-062	Output Shaft		1
63	GB/T894.1	External Retaining Ring 40	40	2
64	GB/T276	Bearing 6208-2Z	6208-2RZ	1
65	MBS1012DAP-065	Bracket		1
66	GB/T77	Scket Set Screw	M6x6	2
67	MBS1012DAP-067	Nut		1
68	GB/T77	Scket Set Screw	M8x10	1
69	MBS1012DAP-069	Bearing Bush		2
70	GB/T297	Bearing 32009	32009	2
71	MBS1012DAP-071	Spacer Bush		1
72	MBS1012DAP-072	Rotating Shaft		1
73	GB/T70.1	Hex Scket Head Cap Screw	M10x25	4
74	GB/T5783	Bolt M10X120	M10x120	1
75	GB/T798	Eyelet Bolt M12X50	M12x50	1
76	GB/T6170	Hex Nut	M12	1
77	MBS1012DAP-077	Spiral Block		1
78	MBS1012DAP-078	Tension Spring		1
79	GB/T894.1	External Retaining Ring 12	12	2
80	MBS1012DAP-080	Shaft		1
81	GB/T70.1	Hex Scket Head Cap Screw	M8x20	3
82	MBS1012DAP-082	Shaft Seat		1
83	MBS1012DAP-083M1	Main Motor (M1)	3~400V 50Hz 1.5kW	1
	MBS1012DAP-083M2	Fan Motor (M2)	3~400V 50Hz 45W	1

Parts List for MBS-1012DASP Metal Band Saw

Index No.	Part No.	Description	Size	Qty
84	MBS1012DAP-084	Gear Box		1
85	GB/T5783	Hex. Cap Head Screw	M10x30	4
86	GB/T95	Flat Wahser	8mm	4
87	MBS1012DASP-087	Hydraulic Cylinder		1
88	MBS1012DAP-088	Bracket For Hydraulic Cylinder		1
89	GB/T5783	Hex. Cap Head Screw	M12x25	2
90	MBS1012DAP-090	Bush		2
91	GB/T70.1	Hex Scoket Head Cap Screw	M10x45	2
98	MBS1012DASP-098	Handle Wheel Φ 125x ϕ 15		1
99	GB/T77	Scoket Set Screw	M6x8	1
100	GB/T1096	Flat Key 5x16	5x16	1
101	MBS1012DASP-101	Handwheel Shaft		1
102	GB/T879.1	Sping Pin	6x30	1
103	GB/T301	Thrust Bearing	51102	1
104	GB/T70.1	Hex Scoket Head Cap Screw	M8x45	2
105	MBS1012DASP-105	Hydraulic Cylinder For Clamping		1
106	MBS1012DASP-106	Upper Vise		1
107	MBS1012DAP-107	Lining Plate		1
108	GB/T6170	Hex Nut	M6	7
109	GB/T77	Scoket Set Screw	M6x20	7
110	MBS1012DAP-110	Moving Plate Of Vise		1
111	GB/T70.1	Hex Scoket Head Cap Screw	M8x20	2
112	MBS1012DAP-112	Nut		1
113	MBS1012DASP-113	Lead Screw		1
114	MBS1012DAP-114	Adjusting Setting Handle M10X32	M10x32	1
115	GB/T79	Scoket Set Screw		1
116	GB/T6170	Hex Nut	M10	1
117	MBS1012DAP-117	Mat		2
118	MBS1012DAP-118	Connecting Base		1
119	MBS1012DAP-119	Limit Switch		1
120	GB/T70.1	Hex Scoket Head Cap Screw	M4x30	2
121	GB/T70.1	Hex Scoket Head Cap Screw	M6x20	2
122	MBS1012DAP-122	Filler Block		1
123	GB/T894.1	External Retaining Ring 10	10	2
124	MBS1012DAP-124	Shaft		1
125	MBS1012DAP-125	Braket		1
126	GB/T70.1	Hex Scoket Head Cap Screw	M6x20	2
127	MBS1012DAP-127	Oil Cup M6		2
128	MBS1012DAP-128	Angle Scale		1
129	MBS1012DAP-128	Rivet 2X5	2x5	2
130	GB/T6170	Hex Nut	M10	1
131	GB/T5783	Hex. Cap Head Screw	M10x25	1

Parts List for MBS-1012DASP Metal Band Saw

Index No.	Part No.	Description	Size	Qty
132	GB/T5783	Hex. Cap Head Screw	M8x30	2
133	GB/T6170	Hex Nut	M8	2
134	GB/T77	Scoket Set Screw	M8x16	1
135	MBS1012DAP-135	Swivel Arm		1
136	GB/T70.1	Hex Scoket Head Cap Screw	M10x35	6
137	MBS1012DAP-137	Fixed Plate Of Vise 2		1
138	GB/T70.1	Hex Scoket Head Cap Screw	M8x12	6
139	MBS1012DAP-139	Shield 2		1
140	GB/T70.1	Hex Scoket Head Cap Screw	M8x25	2
141	GB/T96	Big Flat Wahser 8	8mm	2
142	MBS1012DAP-142	Pointer		1
143	GB/T70.2	Hex Scoket Head Cap Screw	M4x8	2
144	MBS1012DAP-144	Lower Vise		1
145	MBS1012DAP-145	Shield 1		1
146	MBS1012DAP-146	Fixed Plate Of Vise 1		1
147	GB/T95	Flat Wahser	10mm	4
148	GB/T70.1	Hex Scoket Head Cap Screw	M10x35	4
149	GB/T5783	Hex. Cap Head Screw	M10x25	1
150	GB/T6170	Hex Nut	M10	1
151	MBS1012DAP-151	O-Seal 195X5.3G		1
152	MBS1012DAP-152	Slide Block		1
153	MBS1012DAP-153	Star Knob M8X25	M8x25	1
154	GB/T77	Scoket Set Screw	M8x10	1
155	MBS1012DAP-155	Rod		1
156	MBS1012DAP-156	Scale		1
157	MBS1012DAP-157	Staff Lever		1
158	GB/T70.1	Hex Scoket Head Cap Screw	M8x25	2
159	GB/T70.1	Hex Scoket Head Cap Screw	M6x12	2
160	GB/T95	Flat Wahser 6	6mm	2
161	MBS1012DAP-161M3	Cooling Pump Motor ZD-80		1
162	MBS1012DAP-162	Cover Plate		1
163	GB/T70.1	Hex Scoket Head Cap Screw	M5x12	6
164	GB/T95	Flat Wahser 5	5mm	6
165	MBS1012DAP-165	Splash Guard		1
166	MBS1012DASP-166	Base		1
167	MBS1012DAP-167	Knob M10X32A		1
168	MBS1012DAP-168	Limit Shaft		1
169	GB/T70.1	Hex Scoket Head Cap Screw	M8x30	4
170	GB/T95	Flat Wahser	8mm	4
171	MBS1012DAP-171	Roller		1
172	MBS1012DAP-172	Roller Shaft		1
173	GB/T95	Flat Wahser	12mm	4

Parts List for MBS-1012DASP Metal Band Saw

Index No.	Part No.	Description	Size	Qty
174	GB/T5783	Hex. Cap Head Screw	M12x40	4
175	MBS1012DAP-175	Spacer Bush		2
176	GB/T894.1	External Retaining Ring 17	17	2
177	MBS1012DAP-177	Braket For Roller		1
178	MBS1012DAP-178	Operation Panel		1
179	GB/T818	Pan Head Machine Screw	M4x8	4
180	MBS1012DASP-180	Electric Board		1
181	MBS1012DAP-181	Shaft		1
182	MBS1012DAP-182	Lock Seat		1
183	GB/T95	Flat Wahser	8mm	4
184	GB/T70.1	Hex Scket Head Cap Screw	M8x30	4
185	MBS1012DAP-185	Lock Handle		1
186	GB/T80	Scket Set Screw	M8x10	2
187	MBS1012DAP-187	Nut		2
188	MBS1012DAP-188	Stand		1
189	GB/T95	Flat Wahser	10mm	4
190	GB/T70.1	Hex Scket Head Cap Screw	M10x25	4
191	GB/T6170	Hex Nut	M8	4
192	GB/T95	Flat Wahser	8mm	4
193	GB/T70.1	Hex Scket Head Cap Screw	M8x16	4
194	MBS1012DASP-194	Stand		1
195	MBS1012DAP-195	Door		1
196	MBS1012DAP-196	Door Lock MS802		1
197	MBS1012DASP-197A	Hydraulic Station Assembly		1
	MBS1012DASP-197M3	Oil Pump Motor (M3)	3~400v 50hz 550w	1
198	MBS1012DASP-198	Speed Control Valve		1
199	MBS1012DASP-199	Braket For Speed Control Valve		1
200	MBS1012DASP-200	Fixed Plate For Pressure Control Valve		1
201	MBS1012DASP-201	Lining Plate For Limited Switch		1
202	MBS1012DAP-202	Five-Pin Plug P551 & Power Cord 4G1.5mm ²		1
203	MBS1012DASP-202	Cover Plate For Pressure Control Valve		1
	MBS1012DASP-ID	JETRUS ID Label (Not shown)		1
	MBS1012DASP-ML	JETRUS Motor Label (Not shown)		1
	JETRUS-LOGO	JETRUS -165L (Not shown)	165x42mm	1
	MBS1012DAP -WR	Warning Label (Not shown)		1

Parts List for MBS-1012DASP Metal Band Saw

Hydraulic Wiring Diagram

Index No.	Part No.	Description	Size	Qty
197	MBS1012DASP-197A	Hydraulic Station Assembly		1
A1	MBS1012DASP-197.1	Oil Tank		1
A2	MBS1012DASP-197.2	Cover Of Oil Tank	M14X1.5	1
A3	MBS1012DASP-197.3	Plug Screw	0-10MPa	1
A4	MBS1012DASP-197.4	Pressure Gage		1
A5	MBS1012DASP-197.5	Pressure Regulating Valve		1
A6	MBS1012DASP-197.6	Throttling Valve		1
A7	MBS1012DASP-197.7	Base Plate	0-7MPa	1
A8	MBS1012DASP-197.8	Pressure Relay		1
A9	MBS1012DASP-197.9	Manifold Block		1
A10	MBS1012DASP-197.10	Connection Block		1
A11	MBS1012DASP-197.11	Filter Net		1
A12	MBS1012DASP-197.12	Oil Pipe		1
A13	MBS1012DASP-197.13	Oil Hydraulic Pump		1
A14	MBS1012DASP-197.14	Oil Pipe		1
A15	MBS1012DASP-197.15	Hydraulic Cylinder For Lifting		1
A16	MBS1012DASP-197.16	Manifold Block		1
A17	MBS1012DASP-197.17	Coupling		1
A18	MBS1012DASP-197M3	Oil Pump Motor (M3)	3~400v 50hz 550w	1
A19	MBS1012DASP-197.19	Wire	0-10MPa	1
A20	MBS1012DASP-197.20	Pressure Gage		1
A21	MBS1012DASP-197.21	Hydraulic Cylinder For Clamp		2
A22	MBS1012DASP-197.22	Hydraulic Lock		1
A23	MBS1012DASP-197.23	Connection Block		2
A24	MBS1012DASP-197.24	Selector Valve		1
A25	MBS1012DASP-197.25	Stop Valve		1
A26	MBS1012DASP-197.26	Check Valve		2
A27	MBS1012DASP-197.27	Overflow Valve		1
A28	MBS1012DASP-197.28	Stop Valve		1
A29	MBS1012DASP-197.29	Overflow Valve Body		1
A30	MBS1012DASP-197.30	Pedestal		1
A31	MBS1012DASP-197.31	Connector	M14X1.5-R1/4"	1
A32	MBS1012DASP-197.32	Connector	M14X1.5-M14X1.5D	7
A33	MBS1012DASP-197.33	T-Joint		1
A34	MBS1012DASP-197.34	90° Elbow Connection		1
A35	MBS1012DASP-197.35	Hydraulic Joint	RC1/4-RC1/4"	2
A36	MBS1012DASP-197.36	90° Elbow Connection	ZG 1/4	1
A37	MBS1012DASP-197.37	Bolt	M8X140	2
A38	MBS1012DASP-197.38	Wire	长 450mm	1

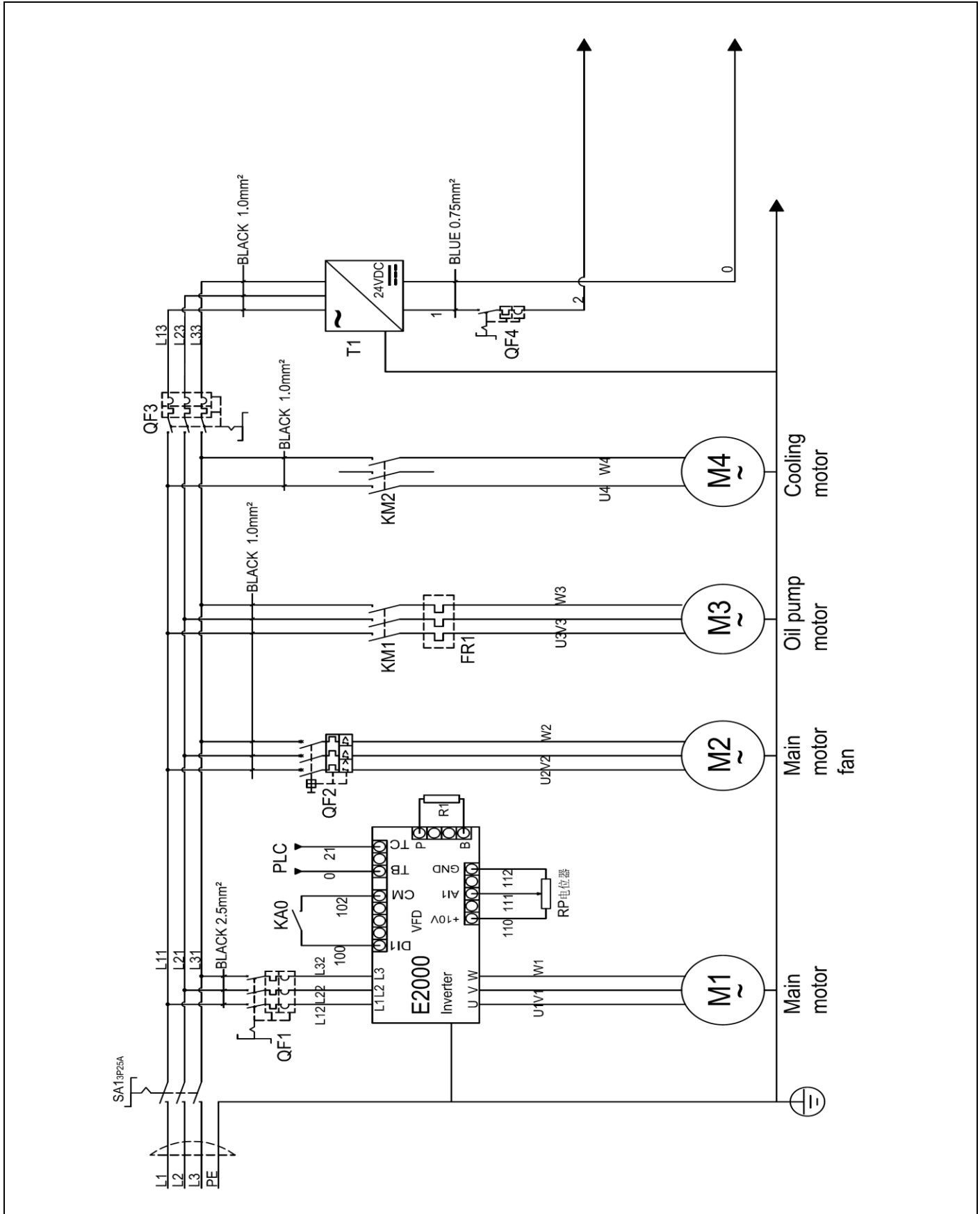
Parts List for MBS-1012DASP Metal Band Saw

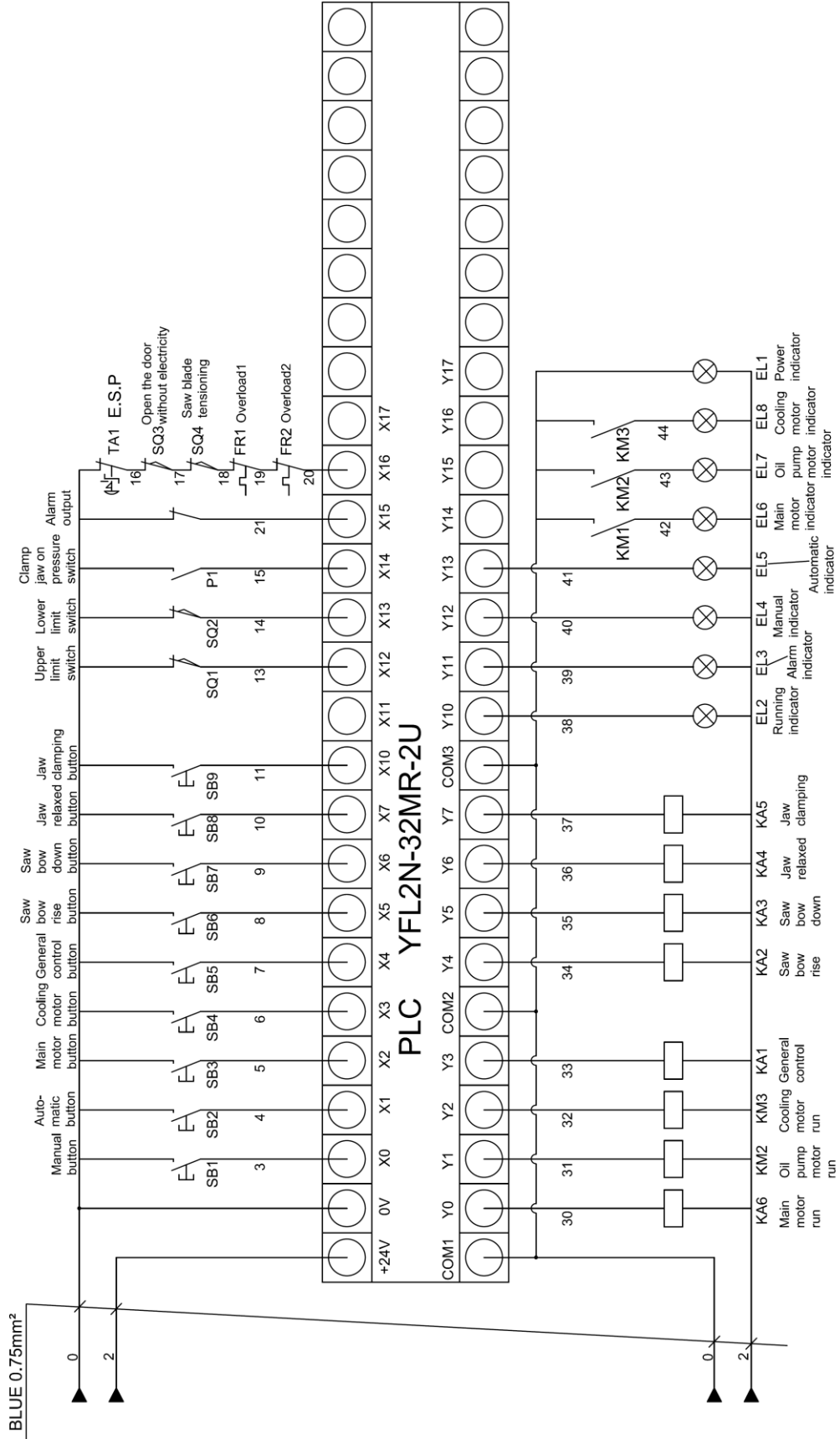
Hydraulic Wiring Diagram

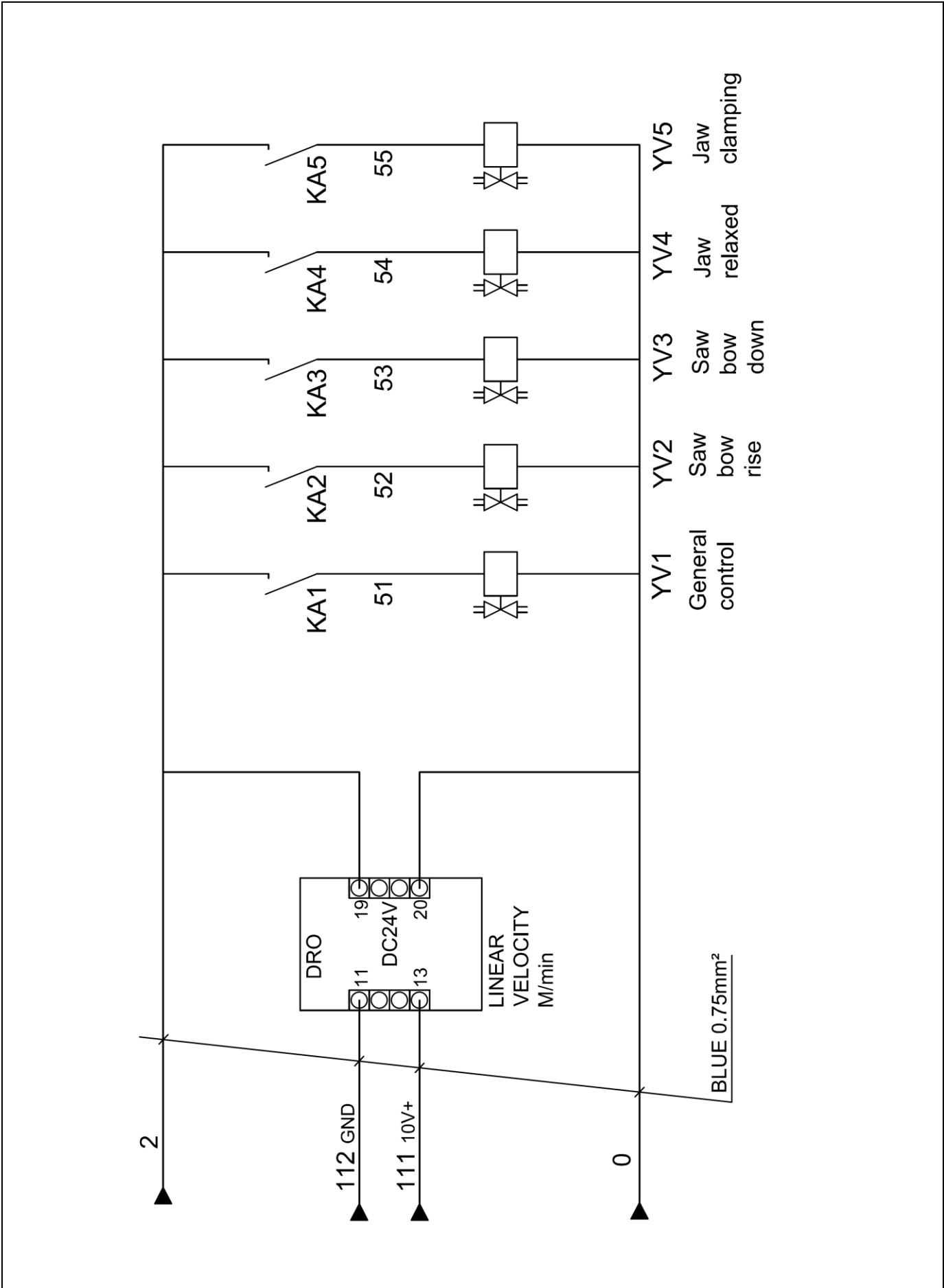
Index No.	Part No.	Description	Size	Qty
A39	MBS1012DASP-197.39	Bolt	M5X130	4
A40	MBS1012DASP-197.40	Bolt	M5X90	4
A41	MBS1012DASP-197.41	Compound Gasket	14	1
A42	MBS1012DASP-197.42	Oil Pipe	M14X1.5,1.5m	1
A43	MBS1012DASP-197.43	Oil Pipe	M14X1.5, 1.8m	1
A44	MBS1012DASP-197.44	Oil Pipe	M14X1.5, 1.5m	1
A45	MBS1012DASP-197.45	Oil Pipe	M14X1.5, 1.5m	1
A46	MBS1012DASP-197.46	Oil Pipe	M14X1.5,3.5m	1
A47	MBS1012DASP-197.47	Oil Pipe	M14X1.5, 3.1m	1
A48	MBS1012DASP-197.48	Oil Pipe	M14X1.5, 2m	1
A49	MBS1012DASP-197.49	Hydraulic Joint	M14X1.5 D/ZG1/4"	1
A50	MBS1012DASP-197.50	Hydraulic Joint	ZG1/4-ZG1/4"	

Wiring Diagram for MBS-1012DASP Metal Band Saw

JRM81012SPT..... 3 ~ 400V, 50Hz







Parts list of MBS-1012DASP Metal Band Saw Electrical Circuit

Index No.	Code	Description	Type / Spec.	Q/ty	Remark
1	SA1	Power Switch JDF11-25	25A	1	
2	VFD	Frequency Converter E2000-0015T3	1.5kW 400V	1	EURA
3	QF1	Breaker DZ47-63	3P10A	1	
4	QF2	Breaker NS2-25	0.4-0.63A	1	
5	QF3	Breaker DZ47-63	3P2A	1	
6	QF4	Breaker DZ47-63	1P6A	1	
7	KM1	DC Contractor CN-6K	3A1a DC24V 9A	1	
8	KM2	DC Contractor CN-6K	3A1a DC24V 9A	1	
9	FR	Thermorelay RHU-5M	1.4-2A	1	
10	T1	DC Power Supply Module	Input: 340~550V AC	1	
11	R1	Resistance	300W/100Ω	1	
12	RP	Potentiometer RV24YN20S-B502	5K2W	1	
13	KA1	Relay G2R-2 (BMZ-06R2)	DC24V 5A	1	
14	KA2	Relay G2R-2 (BMZ-06R2)	DC24V 5A	1	
15	KA3	Relay G2R-2 (BMZ-06R2)	DC24V 5A	1	
16	KA4	Relay G2R-2 (BMZ-06R2)	DC24V 5A	1	
17	KA5	Relay G2R-2 (BMZ-06R2)	DC24V 5A	1	
18	KA6	Relay G2R-2 (BMZ-06R2)	DC24V 5A	1	
19	SB1+E	Manual Mode Slection Button	1NO1NC DC24V 5A	1	
20	SB2+E	Auto Mode Slection Button	1NO1NC DC24V 5A	1	
21	SB3+E	Main Motor Start / Stop Button	1NO1NC DC24V 5A	1	
22	SB4+E	Hydraulic Motor Start / Stop Button	1NO1NC DC24V 5A	1	
23	SB5+E	Cooling Start / Stop Button	1NO1NC DC24V 5A	1	
24	SB6	Saw Bow Rise Button	1NO1NC 5A	1	
25	SB7	Saw Bow Descent Button	1NO1NC 5A	1	
26	SB8	Vise Clamp Button FM19N-SFP-11	1NO1NC 5A	1	
27	SB9	Vise Loosen Button	1NO1NC 5A	1	
25	EL1	Power Light FM12L-SFS/W23	DC24V White	1	
26	EL2	Running Light FM12L-SFS/G23	DC24V Green	1	
27	EL3	Alarm Light FM12L-SFS/R23	DC24V Red	1	
28	TA1	Enmergency Stop XB2-BS542	3A	1	
29	SQ1	Limited Switch QKS7	8A	1	
30	SQ2	Limited Switch QKS7	8A	1	
31	SQ3	Limited Switch QKS8	8A	1	
32	SQ4	Limited Switch QKS9	8A	1	
33	DRO	Speed Indicator SD8F-A10	DC24V	1	
34	PLC	PLC Control Board	DC24V	1	

Parts list of MBS-1012DASP Metal Band Saw Electrical Circuit

Index No.	Code	Description	Type / Spec.	Q/ty	Remark
35	M1	Main Motor (M1)	3~ 400V 50Hz 3.8A P2=1.5kW	1	
36	M2	Fan Motor Label (M2)	3~ 400V 50Hz 0.20A P2=45W	1	
37	M3	Oil Pump Motor (M3)	3~ 400V 50Hz 1.48A P2=550W	1	
38	M4	Cooling Motor (M4)	3~ 400V 50Hz 0.40A P2=45W		
39		Five-Pin Plug	P551 400V	1	
40		Power Cord	4G1.5mm ² 2.5m	1	

